



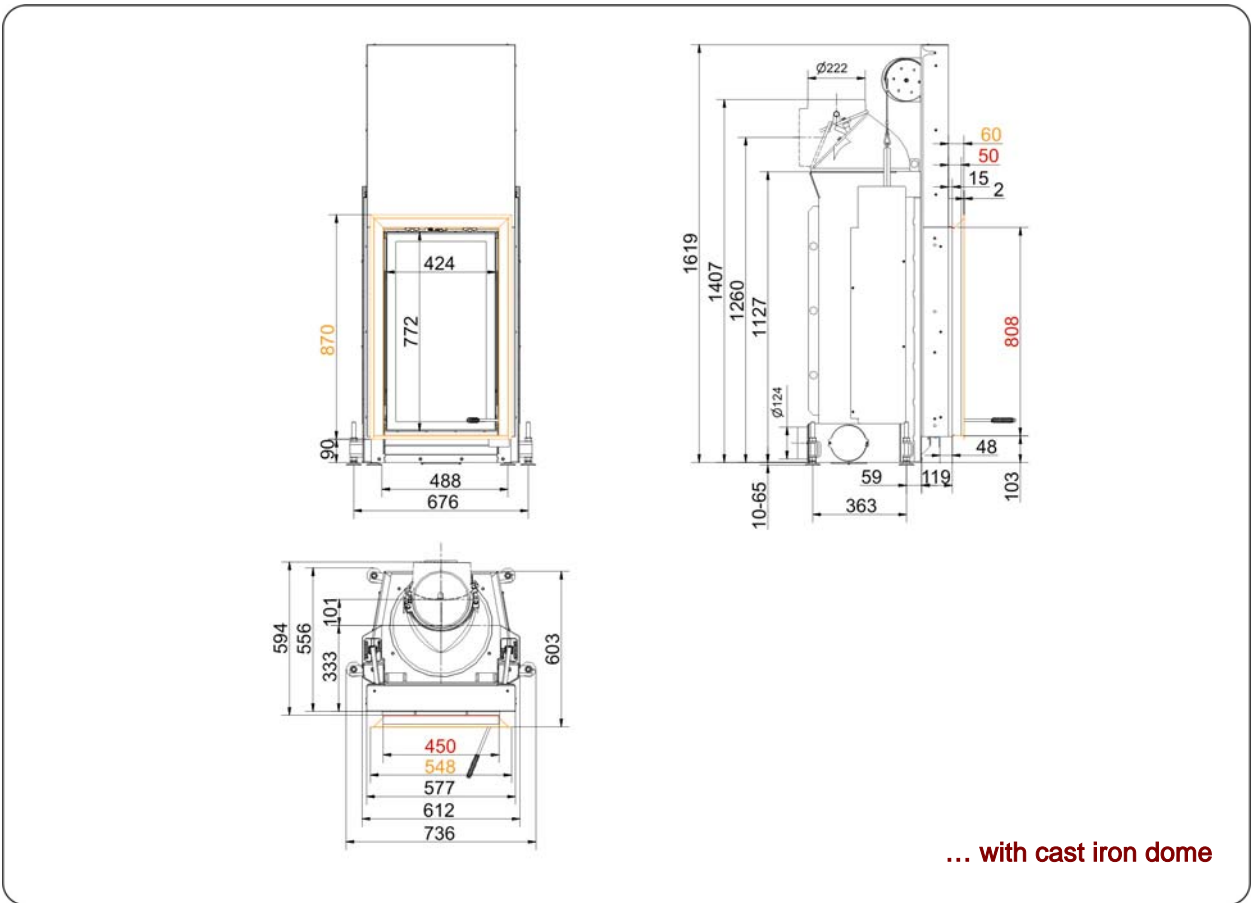
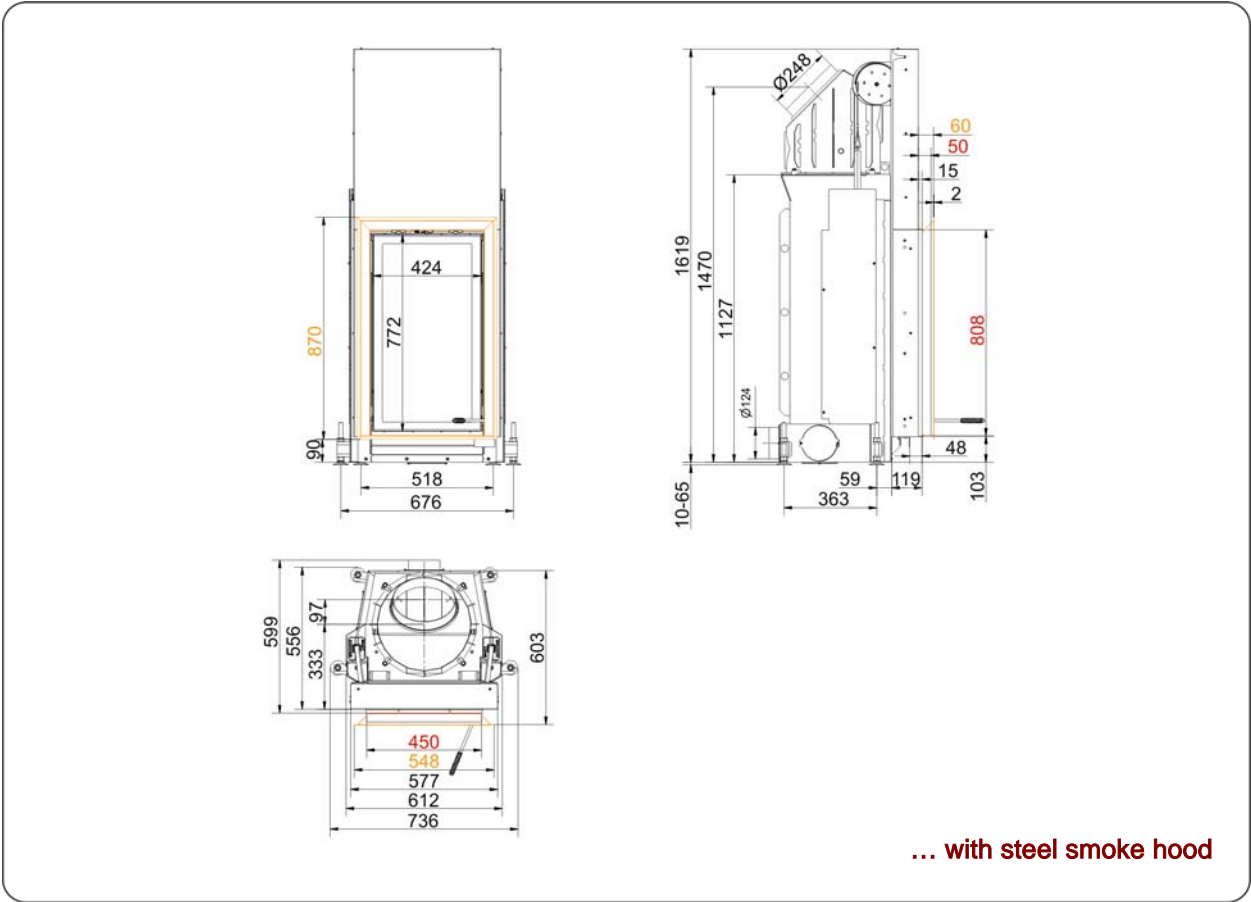
Stil-Kamin 80/45 lifting doors

Version 4.7



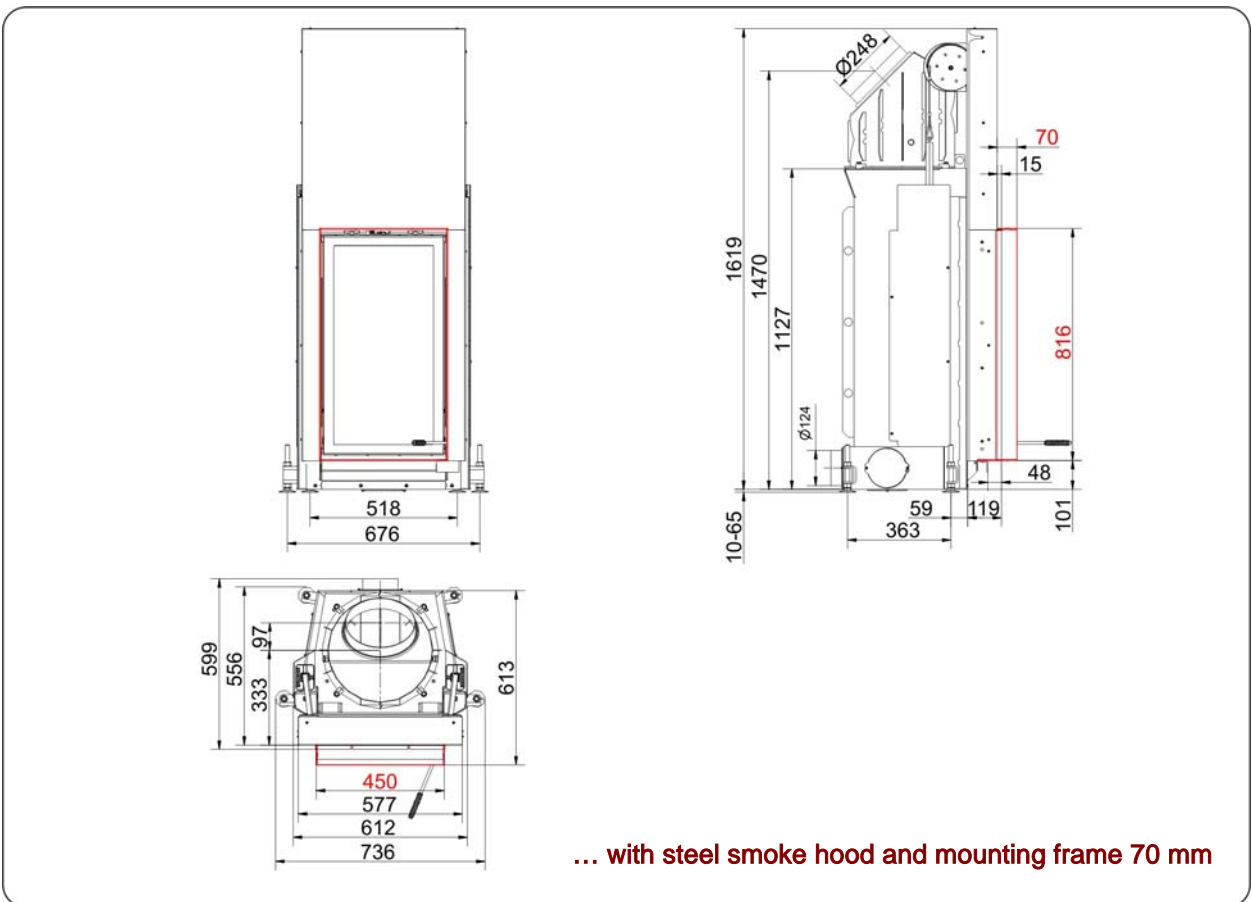
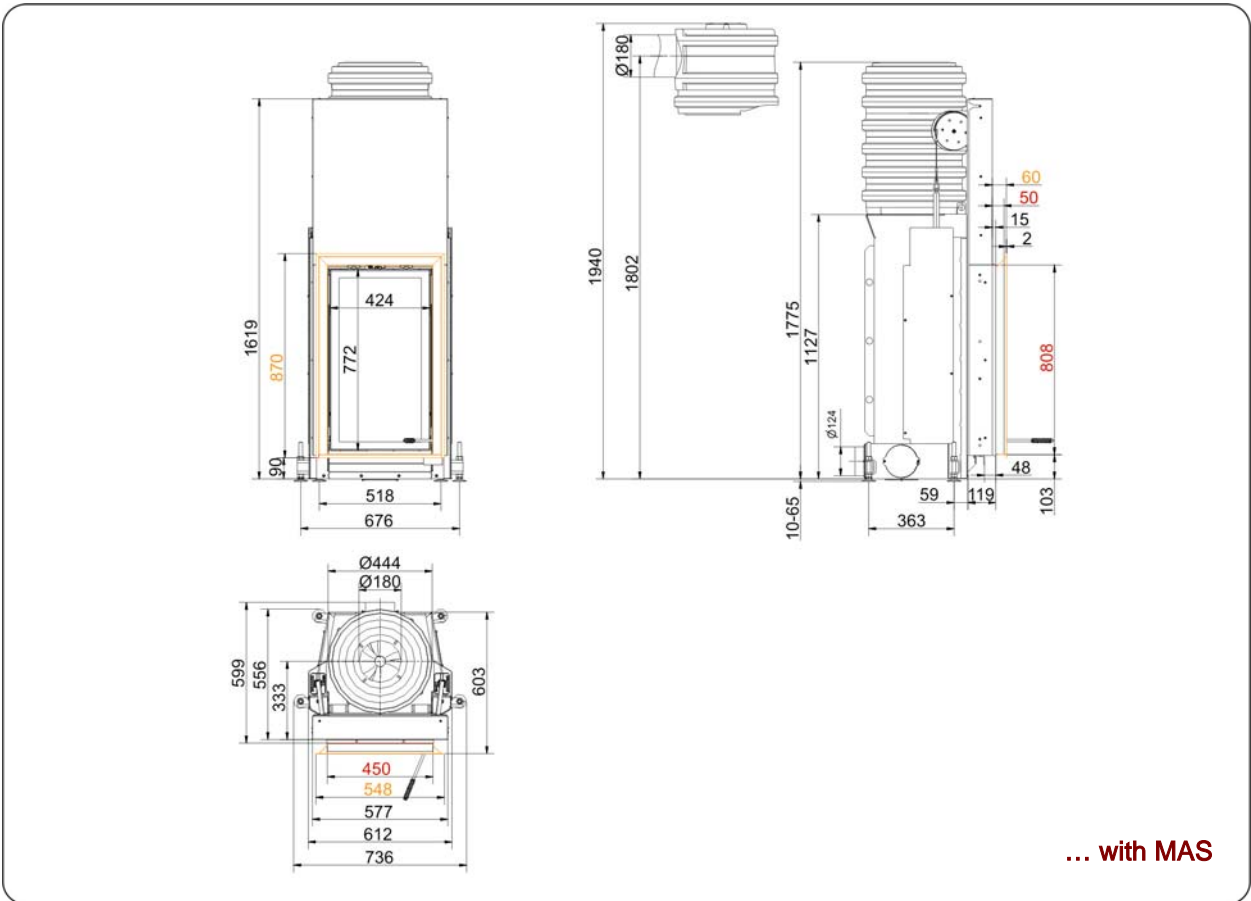
BRUNNER[®]
made in germany

Dimension sheet | **Stil-Kamin 80/45 lifting doors**

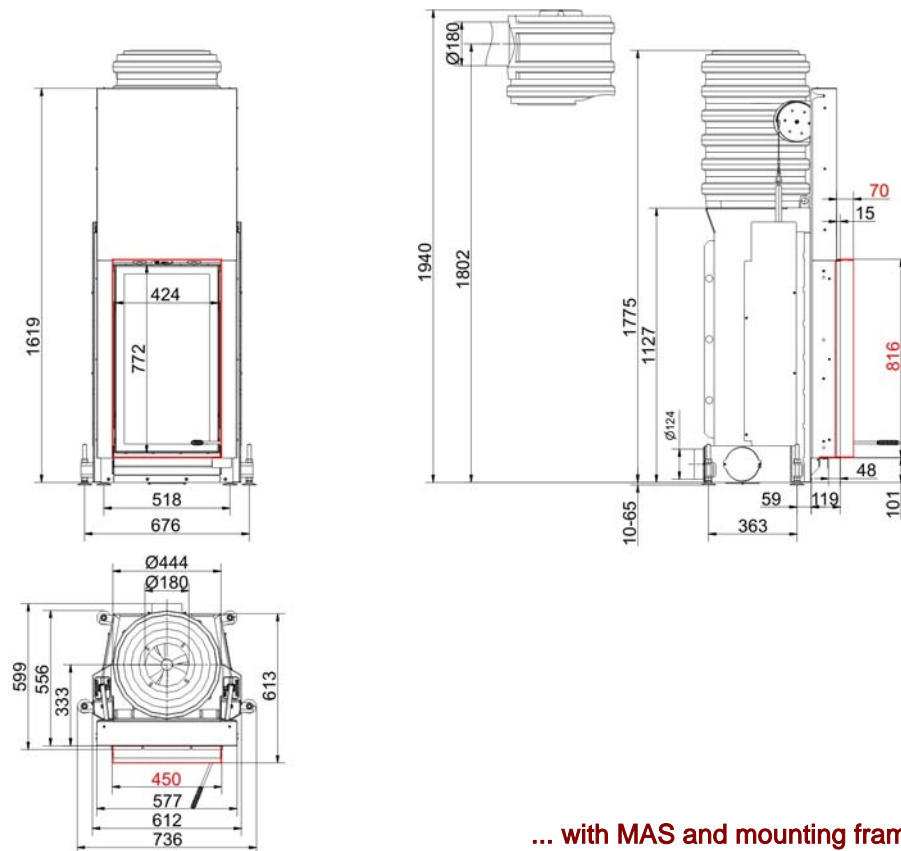
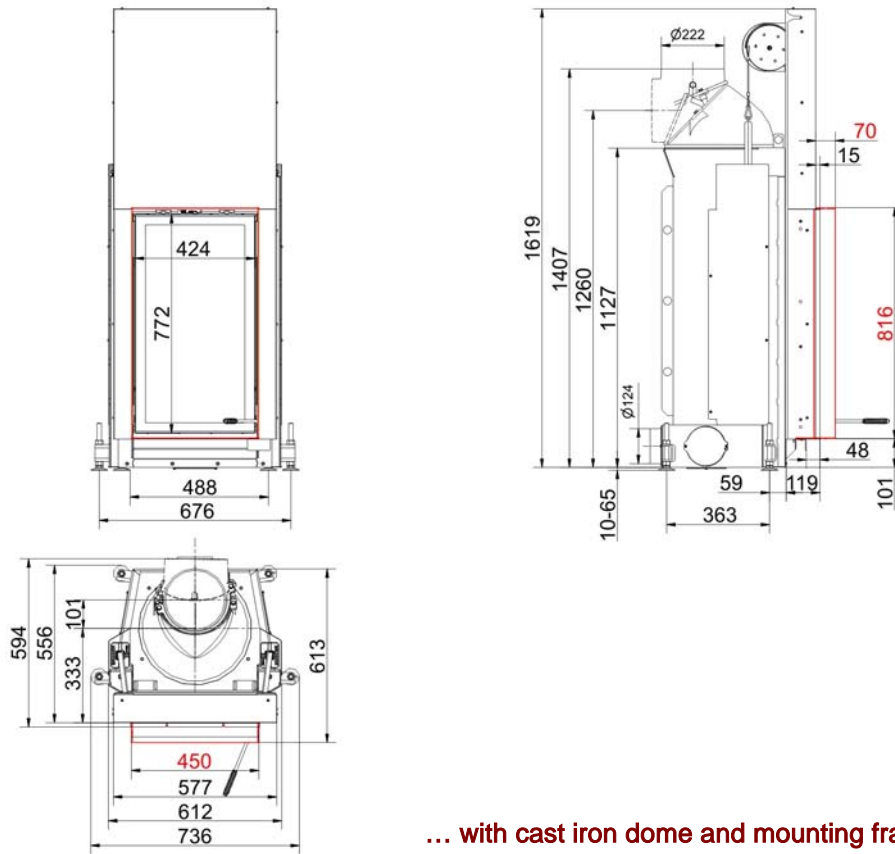


We suggest for CAD planing Palette CAD. Permanent updated drawings: www.brunner.de
 Frames / front versions are marked colored.

Dimension sheet | **Stil-Kamin 80/45 lifting doors**



Dimension sheet | **Stil-Kamin 80/45 lifting doors**



We suggest for CAD planing Palette CAD. Permanent updated drawings: www.brunner.de
 Frames / front versions are marked colored.

Planning and installation

Stil-Kamin 80/45

Tested according to	EN 13229 W	EN 13229 W
Values measured at	nominal load	open door
Suitable for all construction types according to rules	OK	OK
Data for functional demonstration		
Rated heat power	kW 10	-
Firewood consumption	kg/h 3	3
Combustion performance	kW 12	12
Flue gas mass flow	g/s 11	65
Outlet temperature (before heating surface)	°C 310	-
Flue gas temperature after		
attached steel smoke hood	°C 195	125
1 x adjoining cast iron radiator (GNF10)	°C 130	-
5 x accumulation rings (MAS) ¹⁾	°C 210	-
adjoining ceramic accumulator ²⁾	°C -	-
ceramic modular accumulator (KMS system)	°C -	-
water boiler	°C -	-
Necessary supply pressure	Pa 13	6
Combustion air consumption	m³/h 32	140
Combustion air connection Ø	mm 125	-
Heat distribution		
Insert / heating surface	% 60 / -	- / -
Glass (single / double)	% 40 / -	- / -
Boiler	% -	-
Cross-section of gratings for max. warm air power		
Supply air	cm² 1200	0
Warm air	cm² 1200	0
Minimal oven surface for closed construction type		
Surface giving off heat	m² 4,0	-
Space inside oven chamber		
Distance to oven chamber wall	cm 8	8
Distance to floor	cm -	-
Heat insulation without / with ³⁾ air gratings		
Wall	cm 16 / 12	16 / 12
Floor	cm 4 / 2	4 / 2
Ceiling	cm 20 / 14	20 / 14
Insulation of additional fire door DHT	cm -	-
Brick lining of protected walls	cm 10	10
Weight		
Fireplace + burning chamber	kg	183 + 91
Approvals		
Germany / Austria / Switzerland	1.BImSchV (Stufe 1) / 15a BVG / LRV	

1) Throttle flap recommended

2) Approximate value, must be calculated eventually

3) Values with air gratings, stove casing is heat conducting

Ulrich Brunner GmbH
 Zellhuber Ring 17 -18
 D-84307 Eggenfelden
 Phone: +49 / (0)87 21 / 7 71-0
 Fax: +49 / (0)87 21 / 7 71-100
 info@brunner.de | www.brunner.de



BRUNNER products are offered and sold only by qualified dealers and service centres.
 Subject to technical and assortment changes. Errors excepted. (7/10)